

RINGMAX™ Amplified Telephone Ringer • Model TEL 008



RINGMAX™ Amplified Telephone Ringer • Model TEL 008

Description:

Have you been missing important phone calls? You don't have to anymore. If you have difficulty hearing the phone ring, the RINGMAX can help. The RINGMAX is an amplified phone ringer that lets you customize your phone ring for better hearing. With the RINGMAX, you can quickly and easily increase the volume, then set the tone and "warble" to a pitch that's best for you. Four specially selected tone settings emphasize those frequencies easiest to hear. Total sound output is 95 dB SPL at 1 meter.

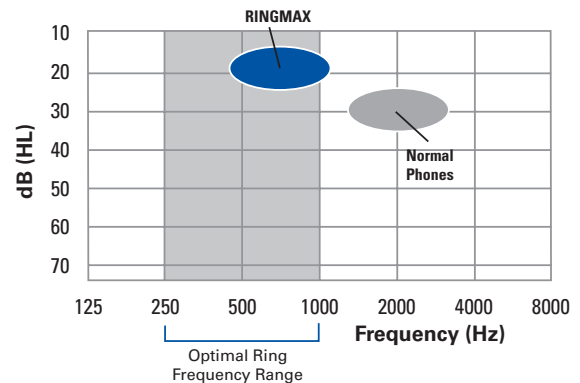
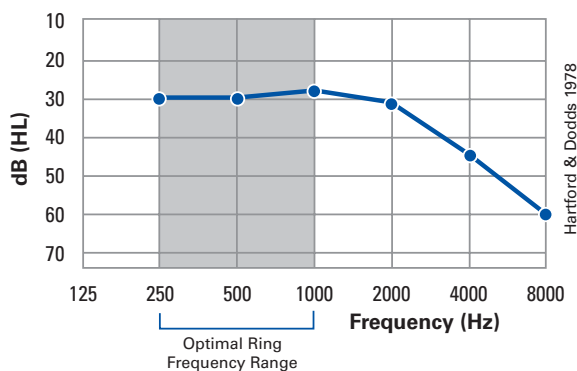
Applications:

- Household • Shop • Garage • Any Noisy Environment

TEL 008 Telephone Ringer:

| | |
|-------------------|--|
| Dimensions: | 6.1" H, 3.5" W, 1.3" D (155 mm H, 90 mm W, 32 mm D) |
| Color: | White |
| Maximum Volume: | 95 dB SPL at 1 m, 4 step adjustable |
| Frequency Range: | 500–1000 Hz, 4 step adjustable |
| Warble: | 4 step adjustable |
| On/Off Switch: | Pushbutton |
| Line Cord Length: | 3 m (10 ft) |
| Plug Type: | RJ11, for central office 2-wire connectors |
| Power Supply: | Four (4) AA 1.5 V non-rechargeable Alkaline batteries (BAT 001) |
| Battery Life: | Approximately one year |
| Approvals: | FCC, RoHS, WEEE |
| Warranty: | Two-year, parts and labor* |

RINGMAX's Volume & Frequency Range Superiority:



The most common type of hearing loss affects chiefly the higher sound frequencies. The left chart graphs a typical loss profile of this kind. The shaded area indicates the optimal ring frequency range, 250–1000 Hz, where hearing ability is maximized. On the right is a sound pressure diagram. The blue area maps the RINGMAX volume (maximum sound energy) at its four tone settings, while the lower mark indicates the lesser volume and inappropriate frequency range of normal telephone ringers.

*90 days on accessories

NOTE: SPECIFICATIONS SUBJECT TO CHANGE WITHOUT NOTICE!

RINGMAX™ Amplified Telephone Ringer • Model TEL 008

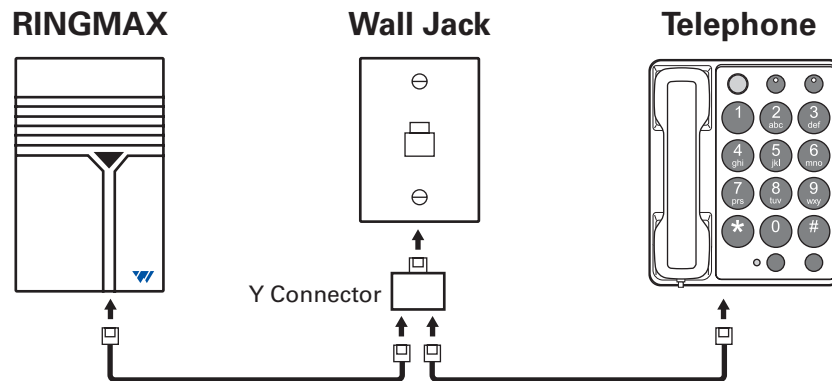


RINGMAX™ Amplified Telephone Ringer • Model TEL 008

Easy to Set Up:

You can easily install RINGMAX yourself in just a few minutes. Either hang it on the wall or place it next to the phone on your desk. Connections are as easy as plugging in your phone.

RINGMAX includes a cord and “Y-connector.”



Bid Specs:

Not Currently Available

NOTE: SPECIFICATIONS SUBJECT TO CHANGE WITHOUT NOTICE!

RINGMAX™ Amplified Telephone Ringer • Model TEL 008



RINGMAX™ Amplified Telephone Ringer • Model TEL 008

Contact:

United States and Mexico

Williams Sound Corp.
10321 W. 70th Street
Eden Prairie, MN 55344-3446
Ph: 800-328-6190 / 952-943-2252 / FAX: 952-943-2174
Web: www.williamssound.com
Email: info@williamssound.com

Canada

Thorvin Electronics
2861 Sherwood Heights Dr. Units 36-37
Oakville, ON L6J-7K1 Canada
Ph: 800-323-6634 / 905-829-3040 / FAX: 905-829-4196
Web: www.thorvinelectronics.com

Asia, Australia, Latin America, Middle East, South Africa

International Sales Department
Williams Sound Corp.
10321 W. 70th Street
Eden Prairie, MN 55344 USA
Phone: +1 952 224 7791 or +1 651 493 2578
Fax: +1 952 943 2174
Email: info@williamssound.com
Web: www.williamssound.com

NOTE: SPECIFICATIONS SUBJECT TO CHANGE WITHOUT NOTICE!